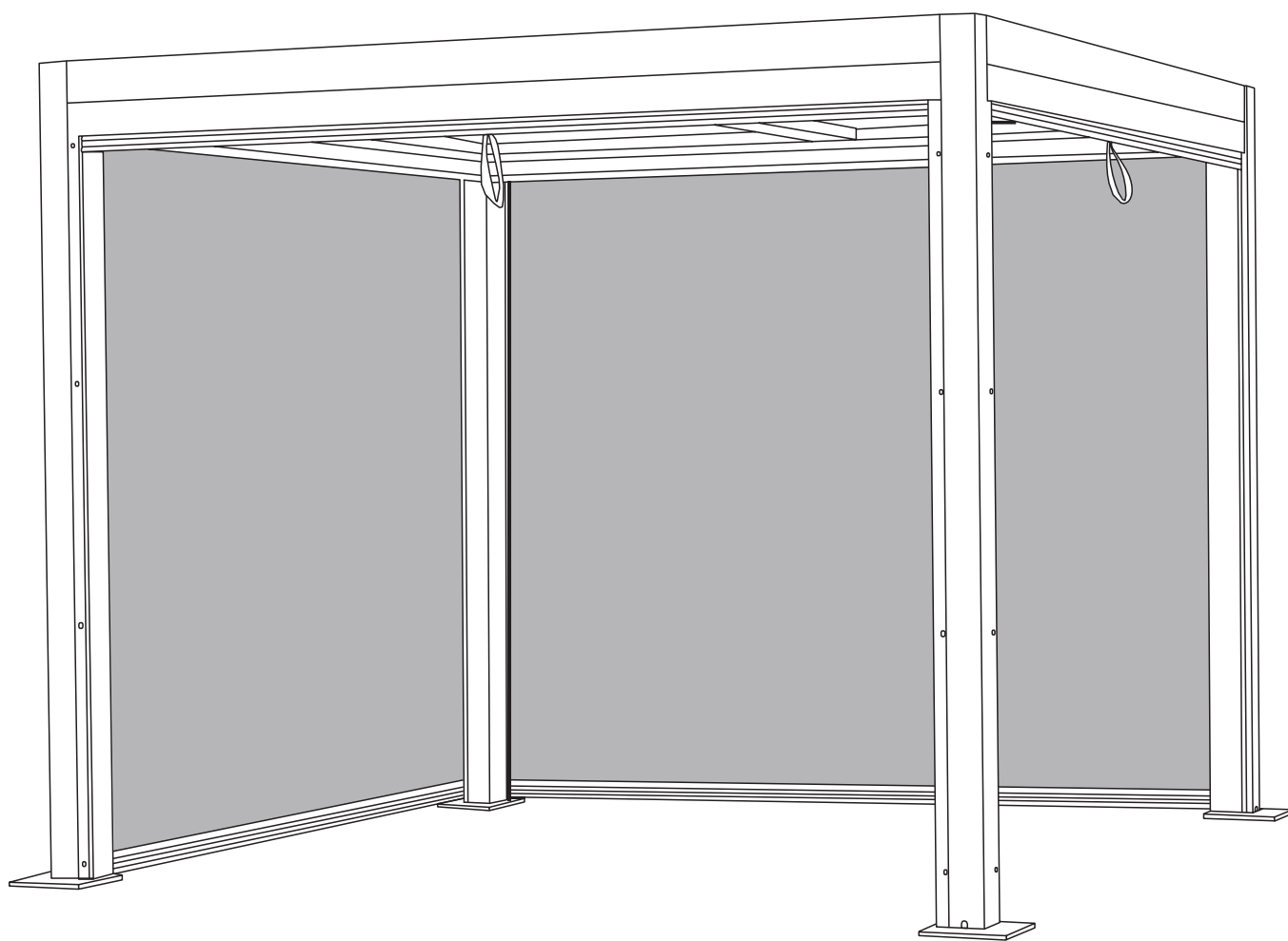


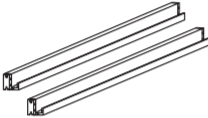

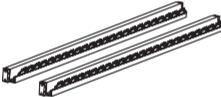

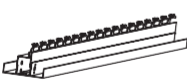



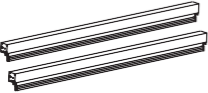

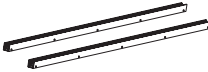

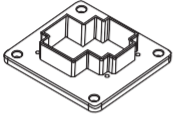

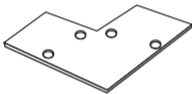


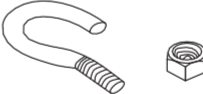


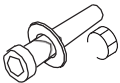
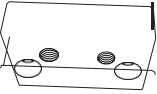







Leisure Garden Belfort Gazebo 3m x 3m

Assembly and Care Instructions



Parts List

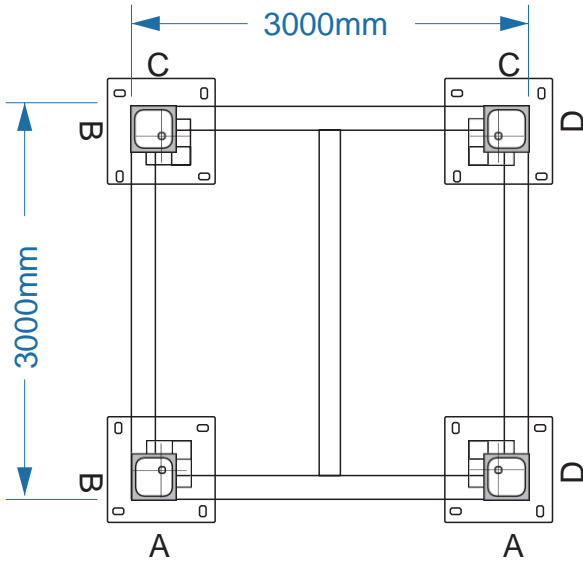
Part No.	Image	Description	QTY	Part No.	Image	Description	QTY
1011		Post	4	1022		6x10mm Hex Bolt	16
1012		Side Beam (A / C)	2	1023		3.9x38mm Screw	32
1013		Side Beam with Louvre Bracket (B / D)	2	1024		5x10mm Bolt	4
1014		Middle Beam	1	1025		5x5mm Bolt	16
1015		Louvre Blade	41	1026		5x15mm Hex Bolt	4
1016		3m Side Wall	4	1027		5x10mm Bolt	4
1010		Guide Rail	8	1028		10x100mm Expansion Bolt	16
1017		Post Base	4	1030		7mm Cap	32
1018		Beam Corner Cap	4	1031		louvre Crank Handle	1
1019		Beam Corner Cover	4	1032		M6 Hook / Nut	1
1020		6x15 Hex Bolt	16	1033		louvre Control Loop	1
1021		6x50mm Hex Bolts/Nuts	16	1034		Middle Beam Support Part	2

Part No.	Image	Description	QTY	Part No.	Image	Description	QTY
1035		Screwdriver	2	1038		Spanners 13mm	2
1036		Allen Key 6mm	2	1039		Spare Louvre Bracket	A-2 B-2
1037		Allen Key 5mm	2				

Before Assembly

Please be aware that assembly of the Leisure Garden Belfort Gazebo is a complicated and involved process requiring a certain amount of technical ability and time. If you are in any doubt about assembly it is recommended you enlist the help of a qualified tradesperson.

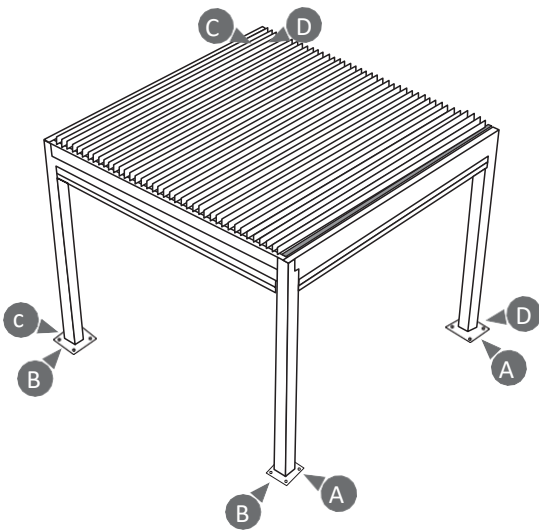
It is recommended that assembly should be conducted by a minimum of 2-3 people. Certain stages of the assembly will require the use of multiple step ladders and, if securing into concrete or other solid ground you will require a masonry drill.



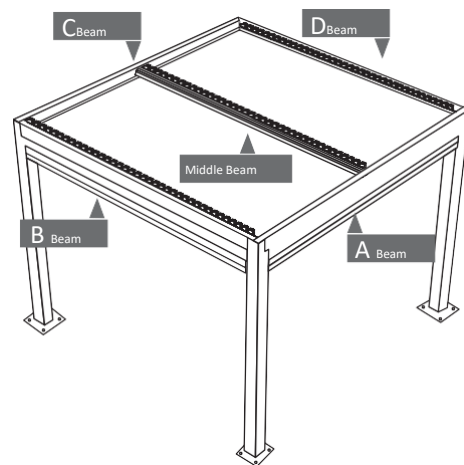
It is important that you carefully measure and mark out the location of the Gazebo posts.

The Gazebo must be located on flat, level ground and the posts positioned equally apart.

Failure to do the above may result in sub-optimum operation of the mesh sidewalls.

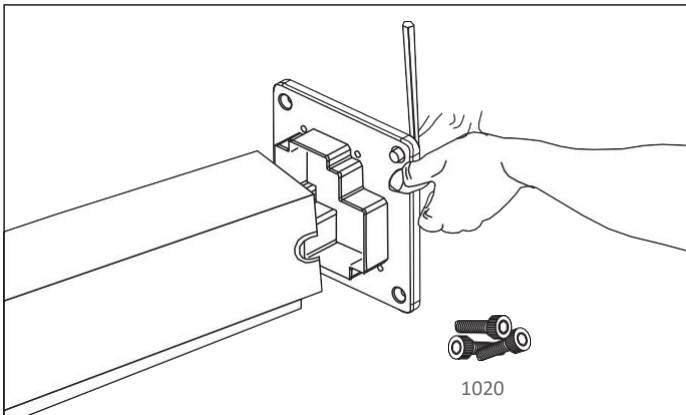
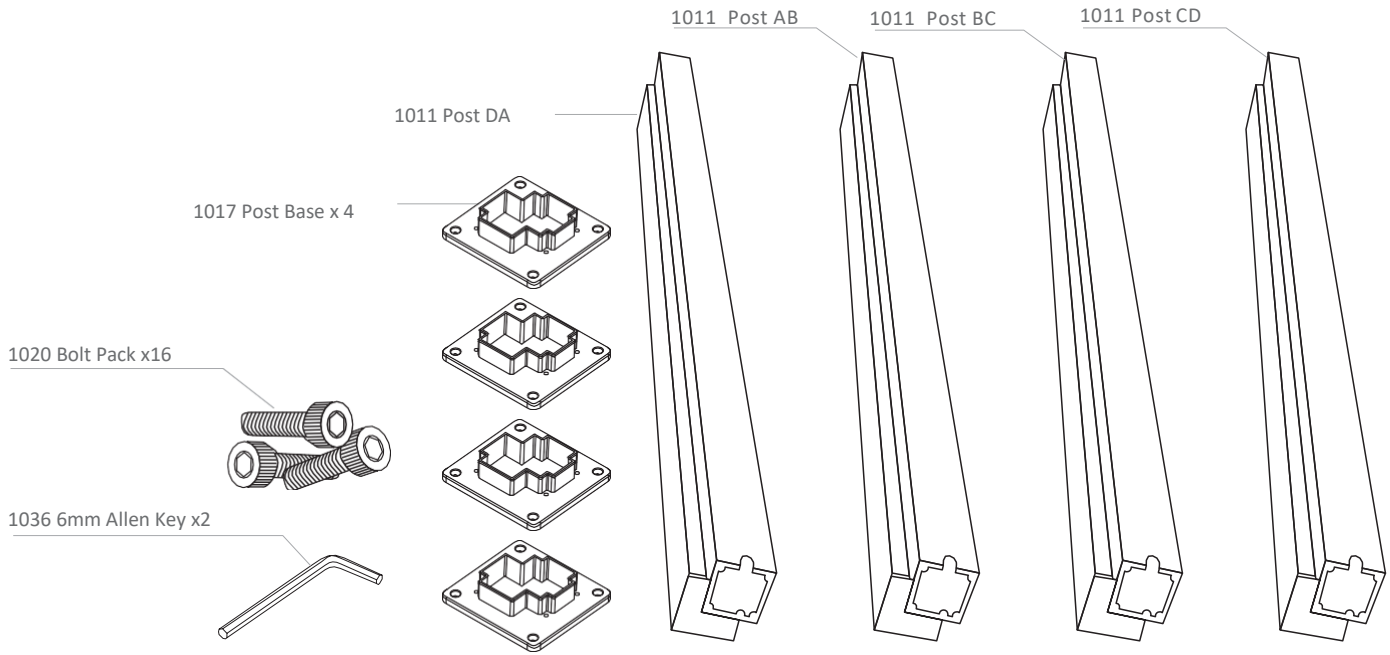


Posts are labelled with lettered stickers "A", "B", "C" and "D"

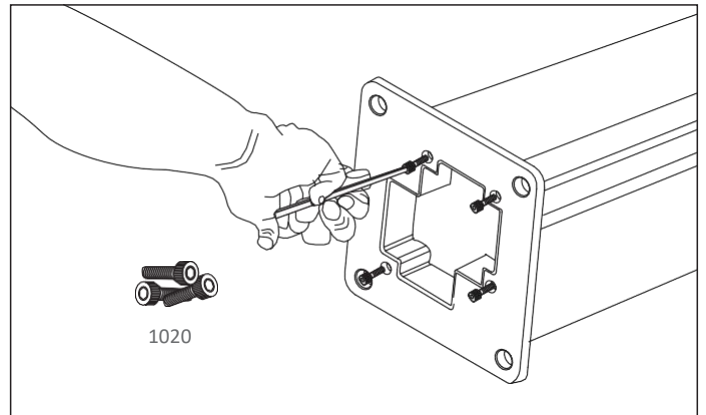


Outer beams are labelled with lettered stickers "A", "B", "C" and "D"

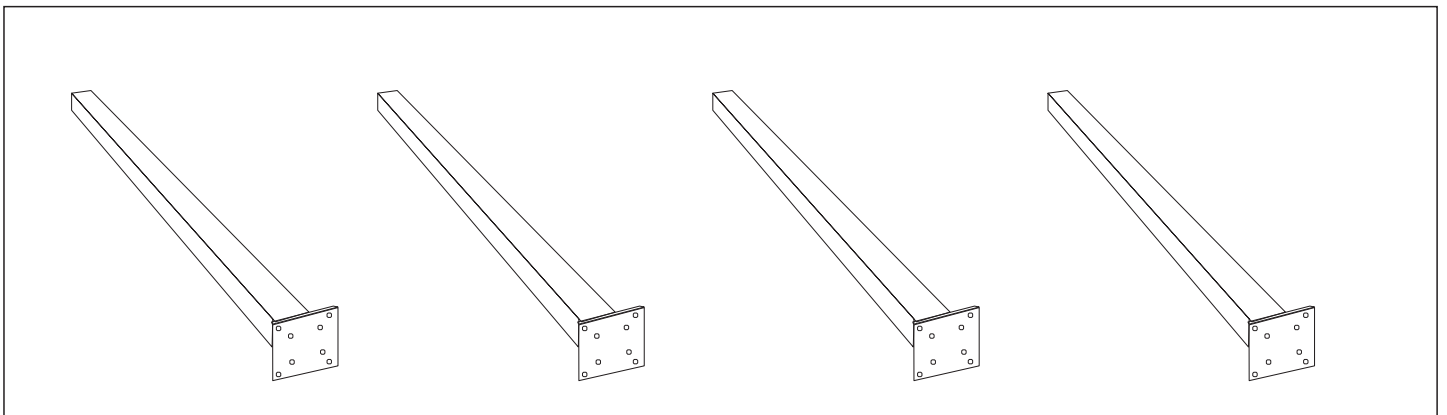
Step one: framework assembly



Match Post Base(1017) to Post(1011) by Bolt(1020)

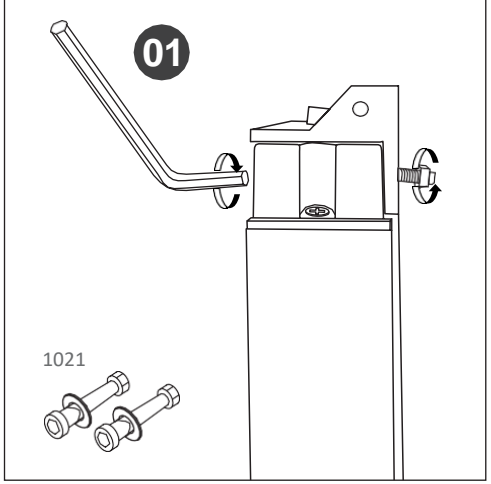
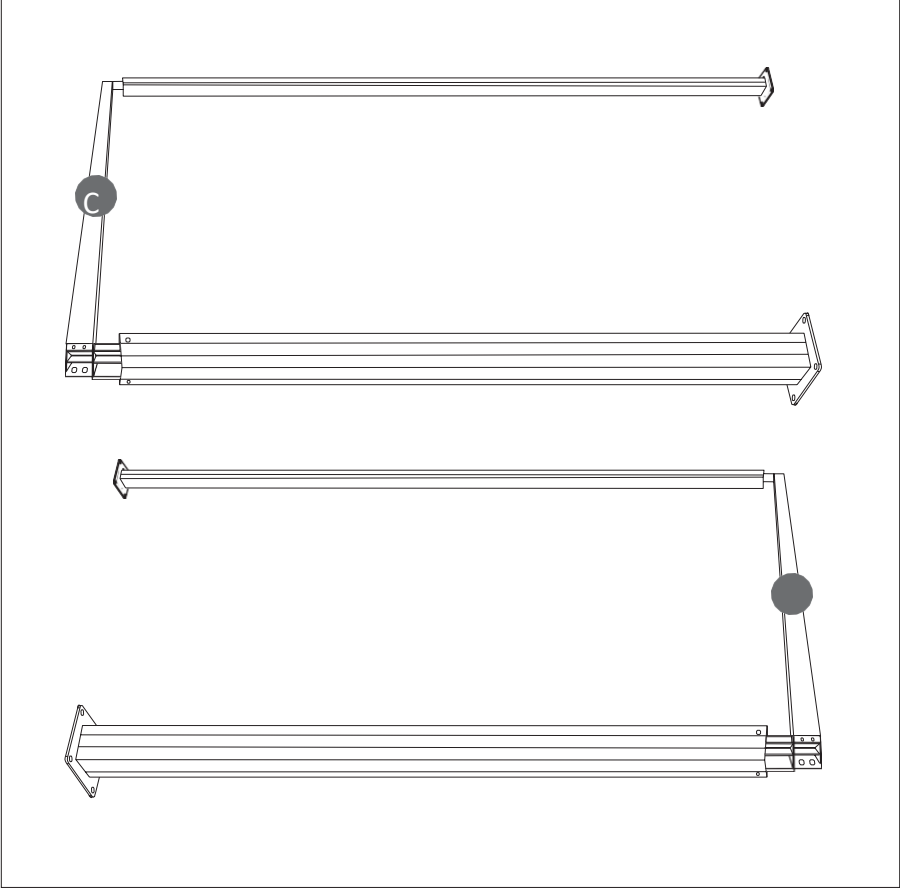
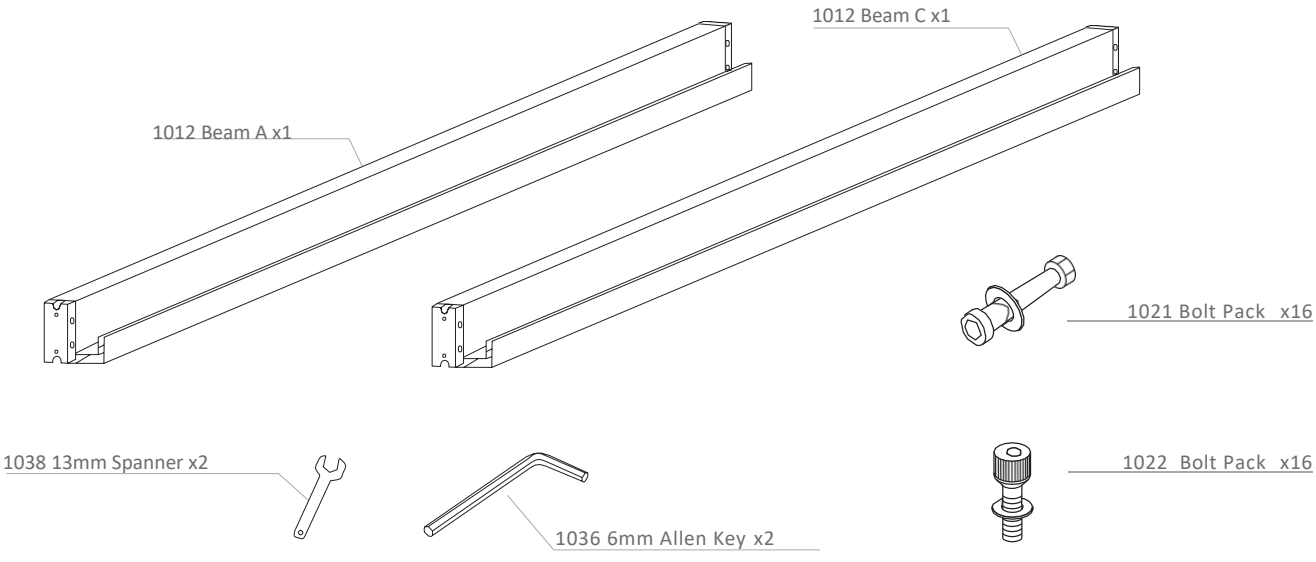


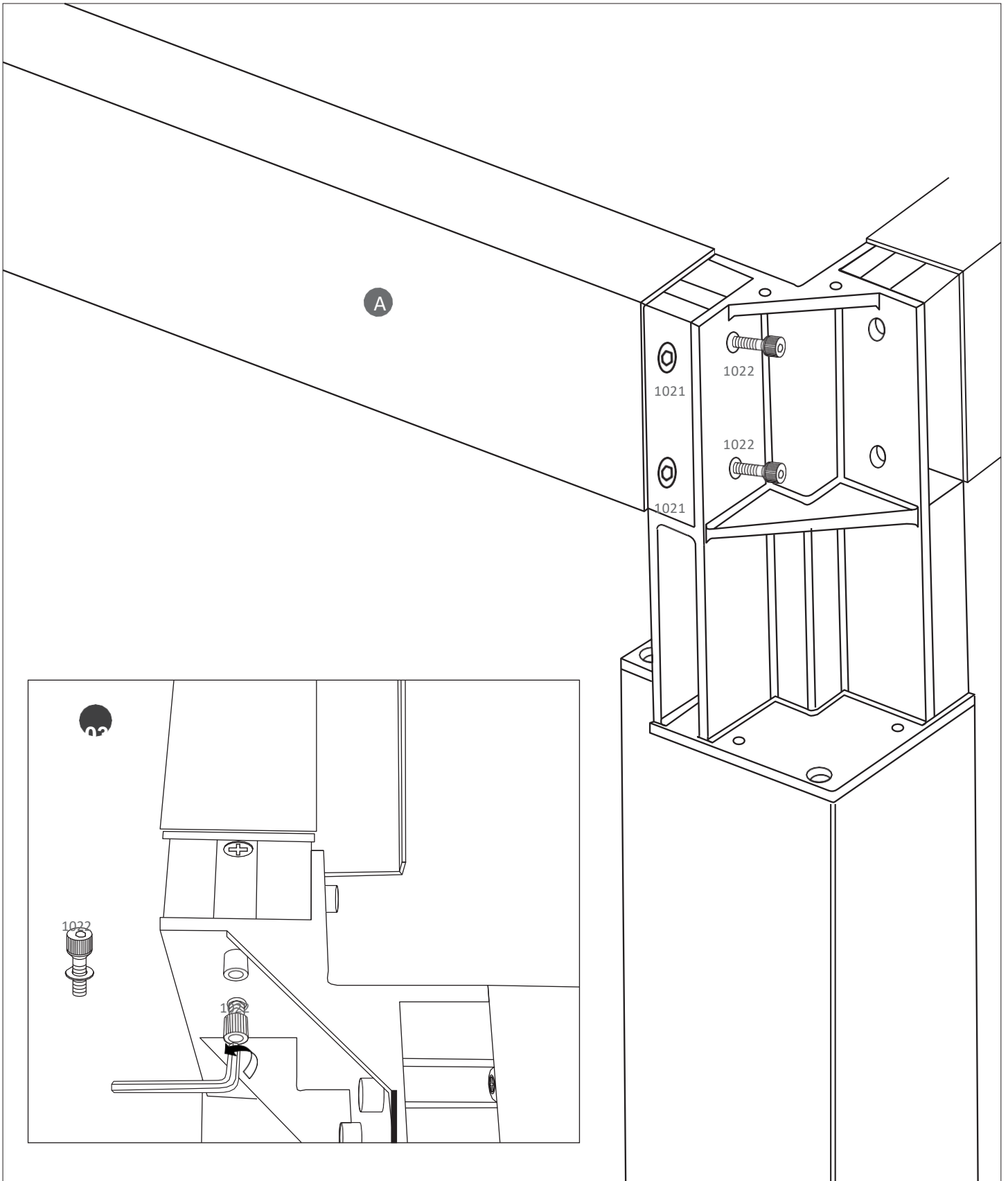
Insert and tighten 4x1020 Bolts by Allen Key(1036)



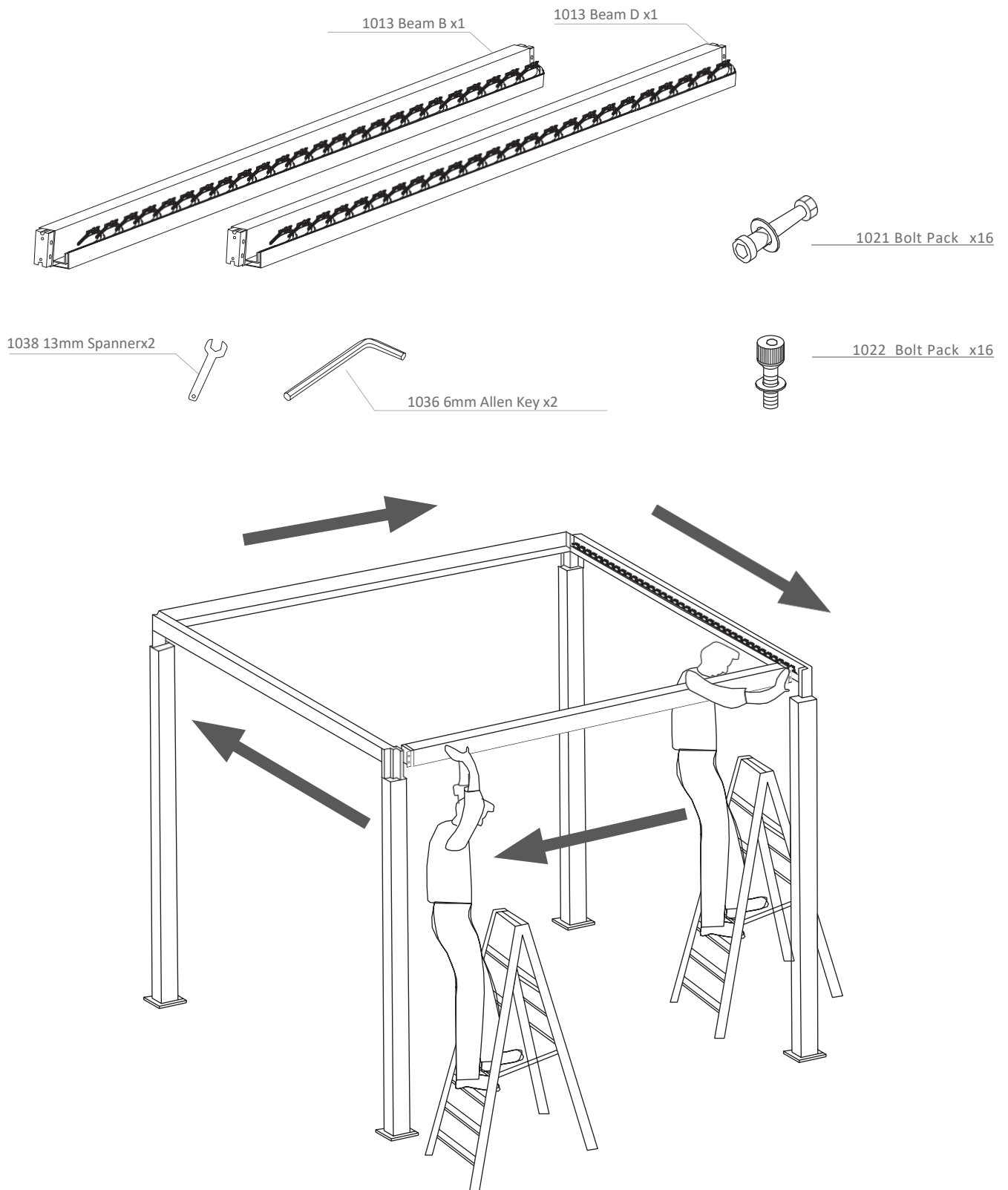
Repeat for all Posts

Step two: beam assembly - A / C

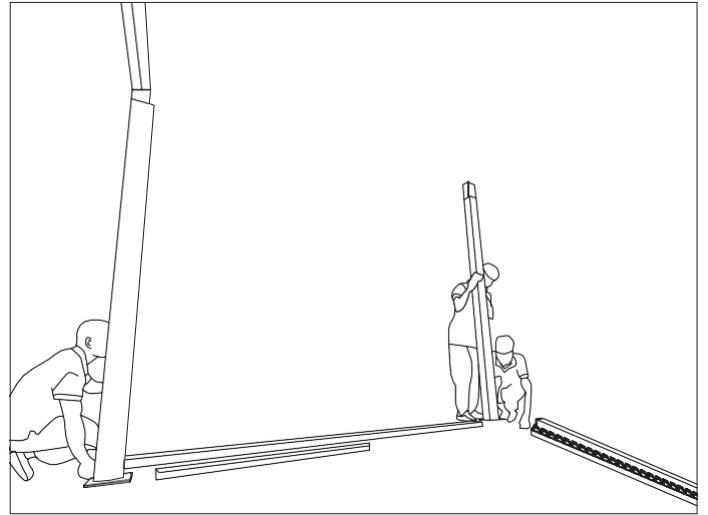
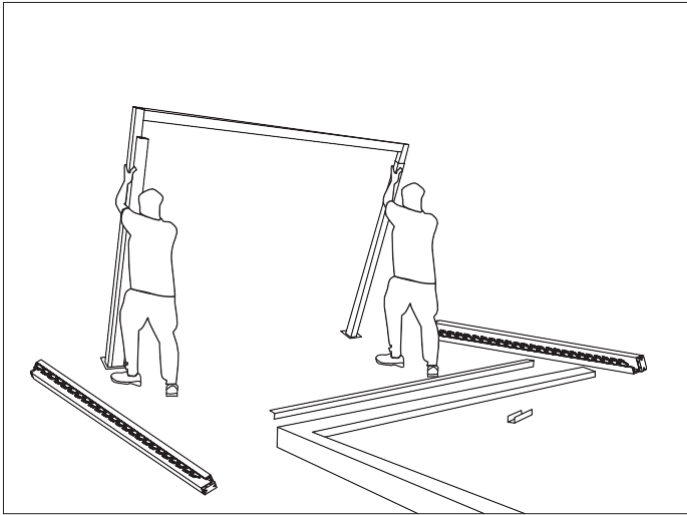




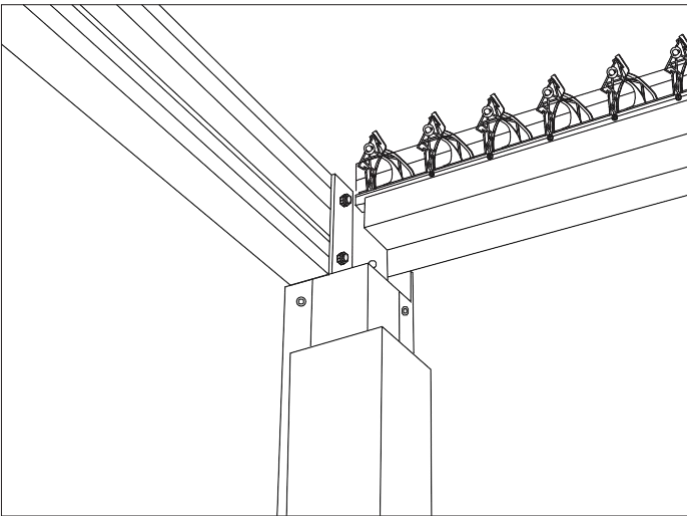
Step three: beam assembly B / D



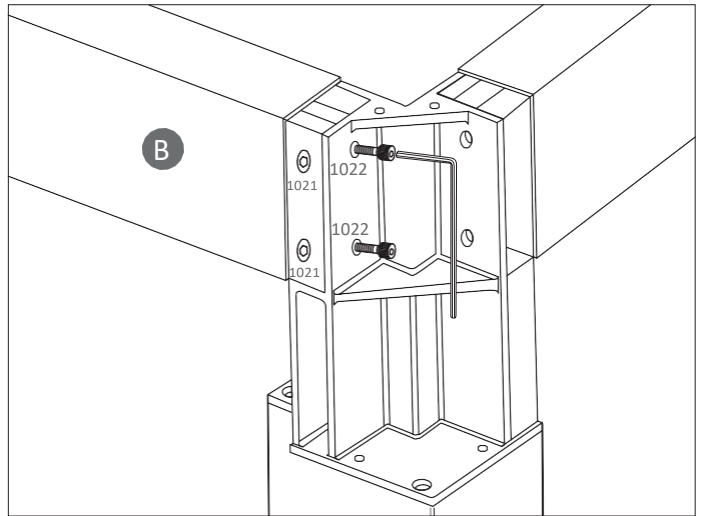
Assemble the frame as per the above graphic



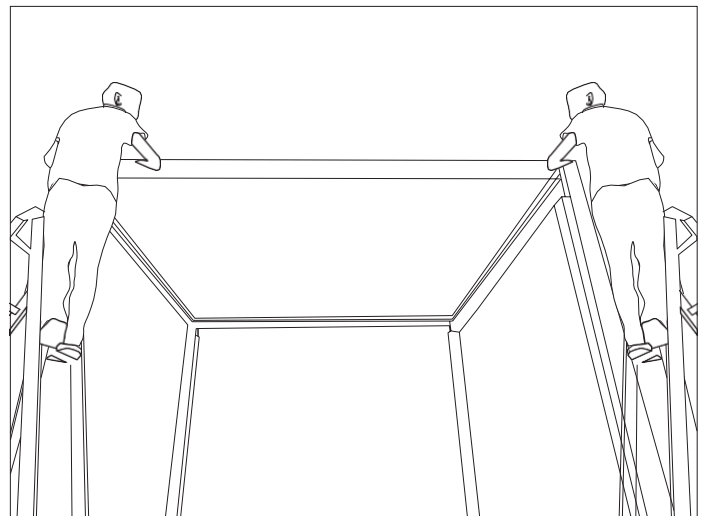
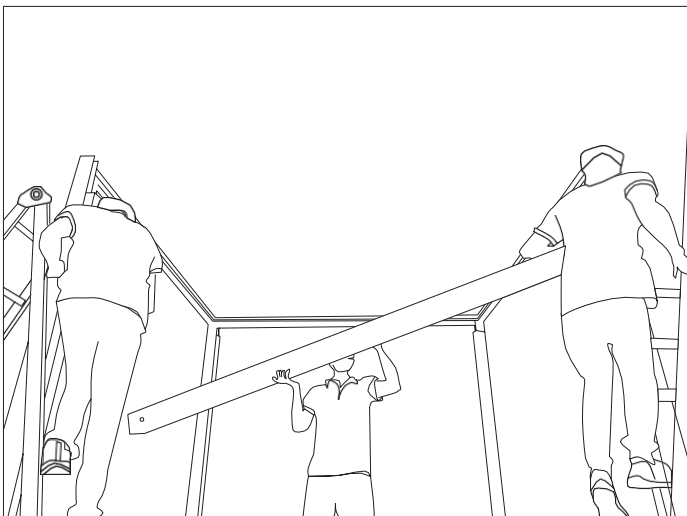
Move Posts AB/DA and Beam A into position and erect



Attach Beam B to Post AB using 2 X 1021 Bolts and Nuts, 2x1022 Bolts

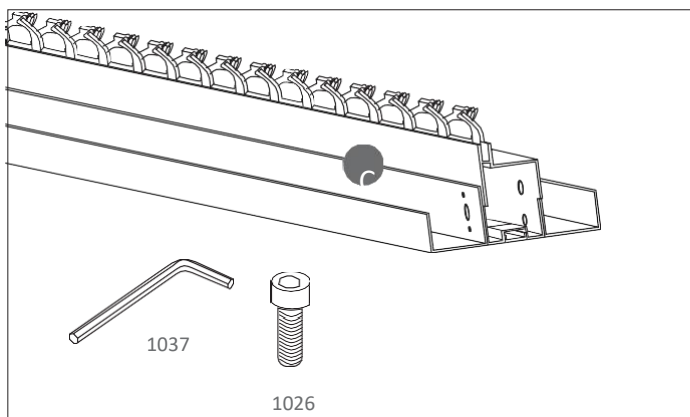
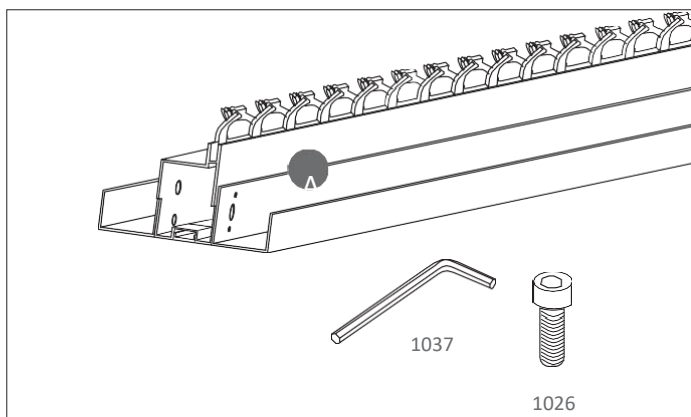
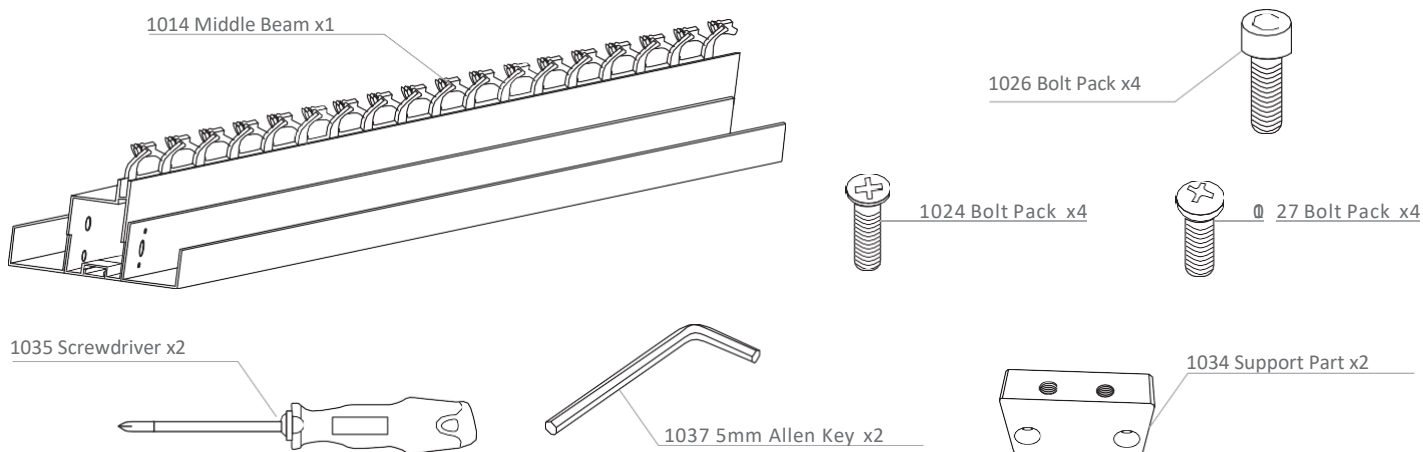


Attach Beam B to Post BC using 2 X 1021 Bolts and Nuts, 2x1022 Bolts

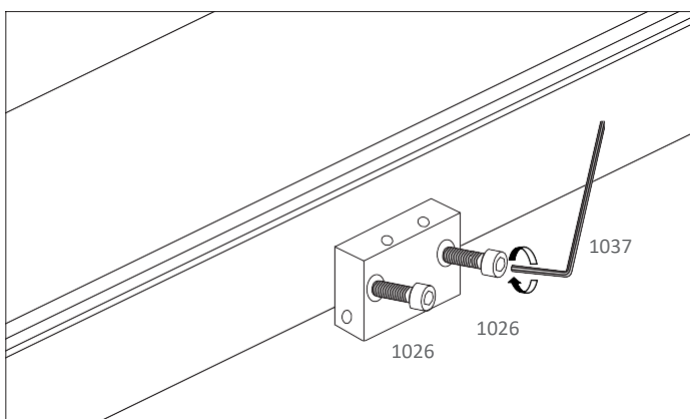
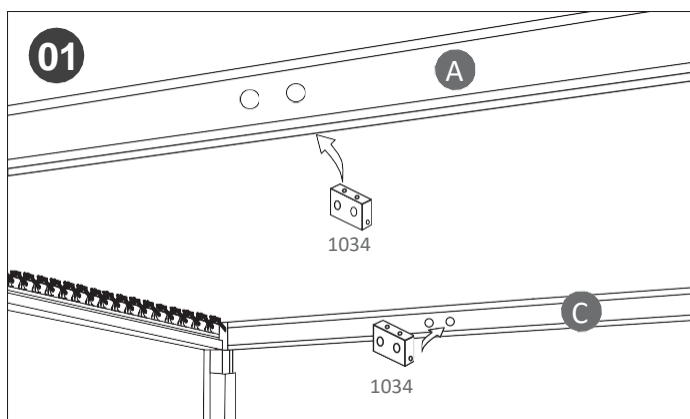


Now repeat to attach Beam D to Posts CD and DA

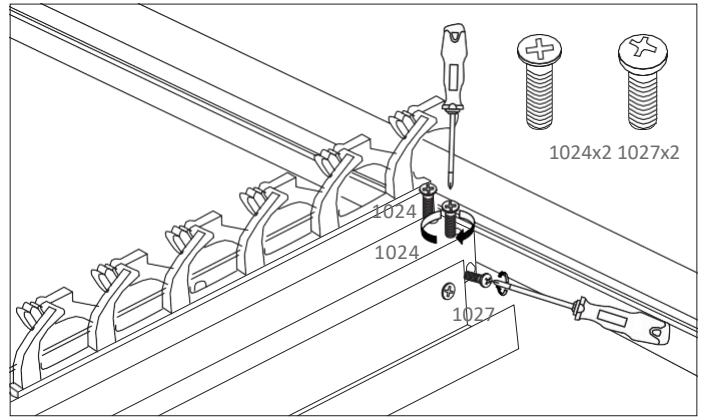
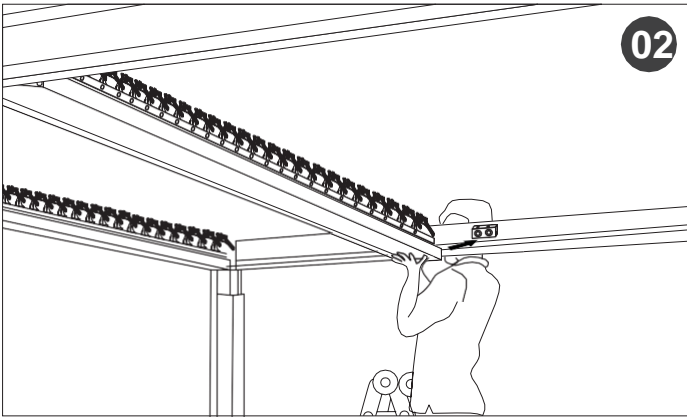
Step four: middle beam assembly



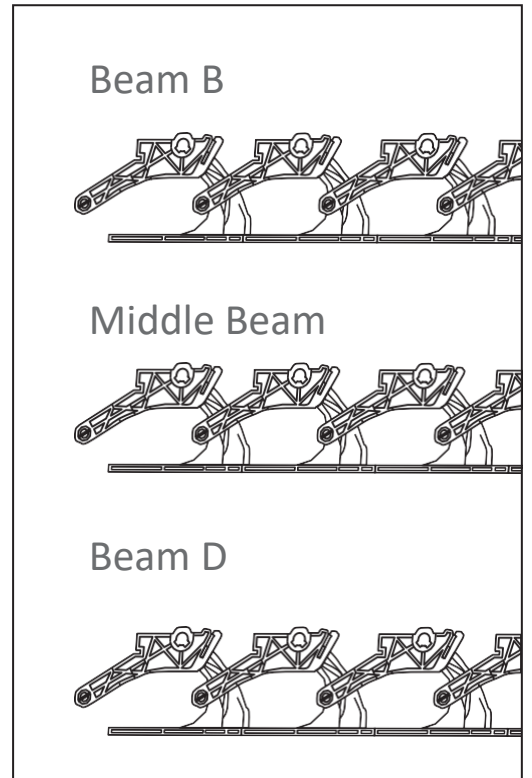
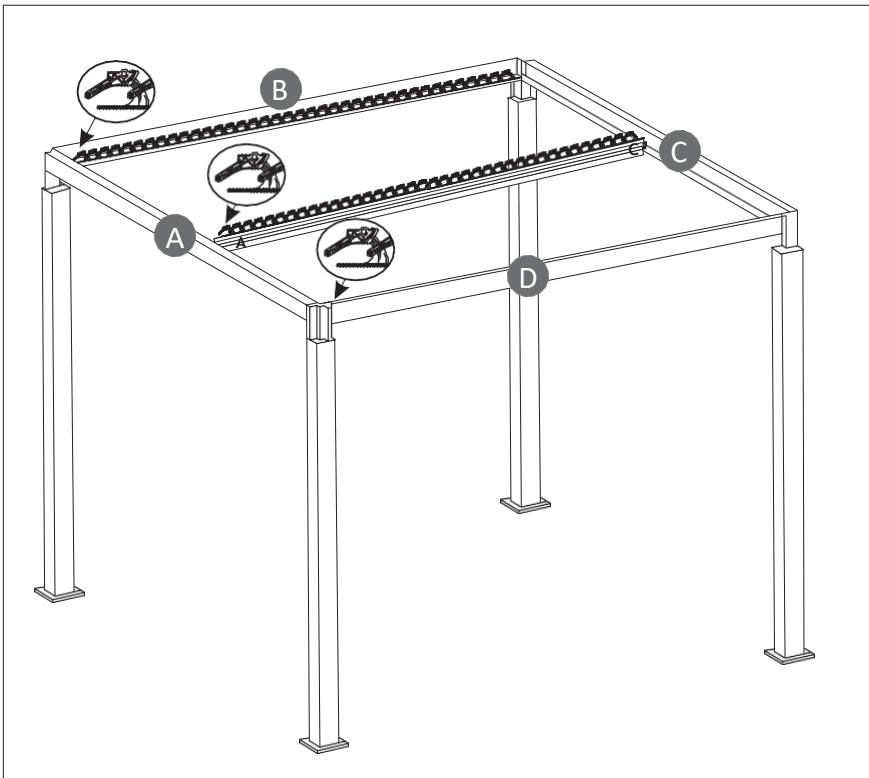
Please note the ends of the Middle Beam are marked with either A or C. Match each end to the corresponding Beam you are attaching it to.



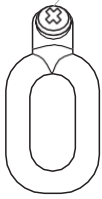
Attach Middle Beam Support 1034x2 to Beam A and C by Bolts(1026)



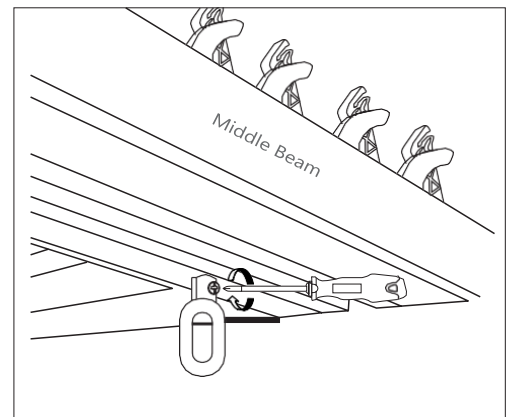
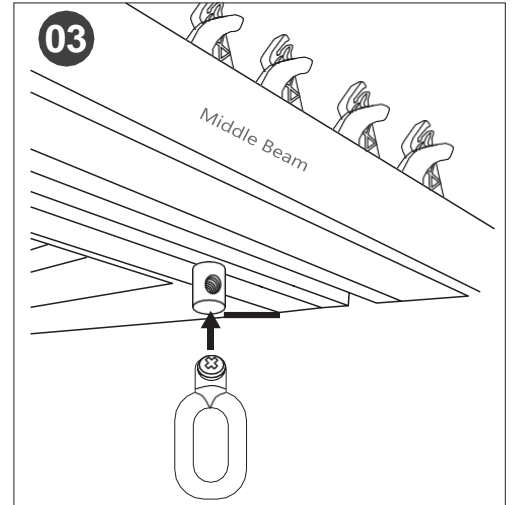
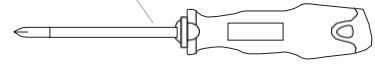
Pay attention to identify the two ends of the middle beam, which are divided into A end and C end, corresponding to A side beam and C side beam. Middle beam are lifted and placed inside the A / C side beam and tightened with screws.



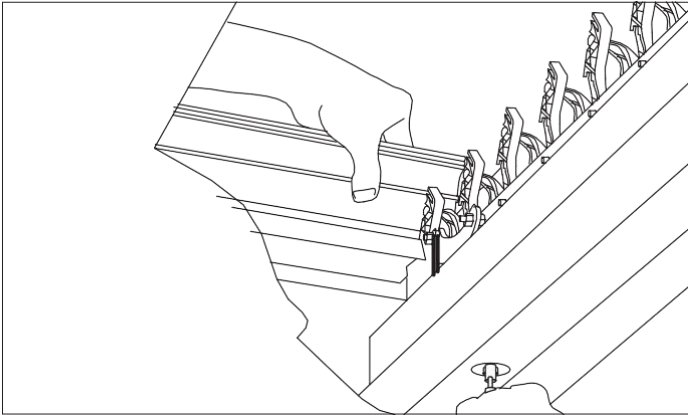
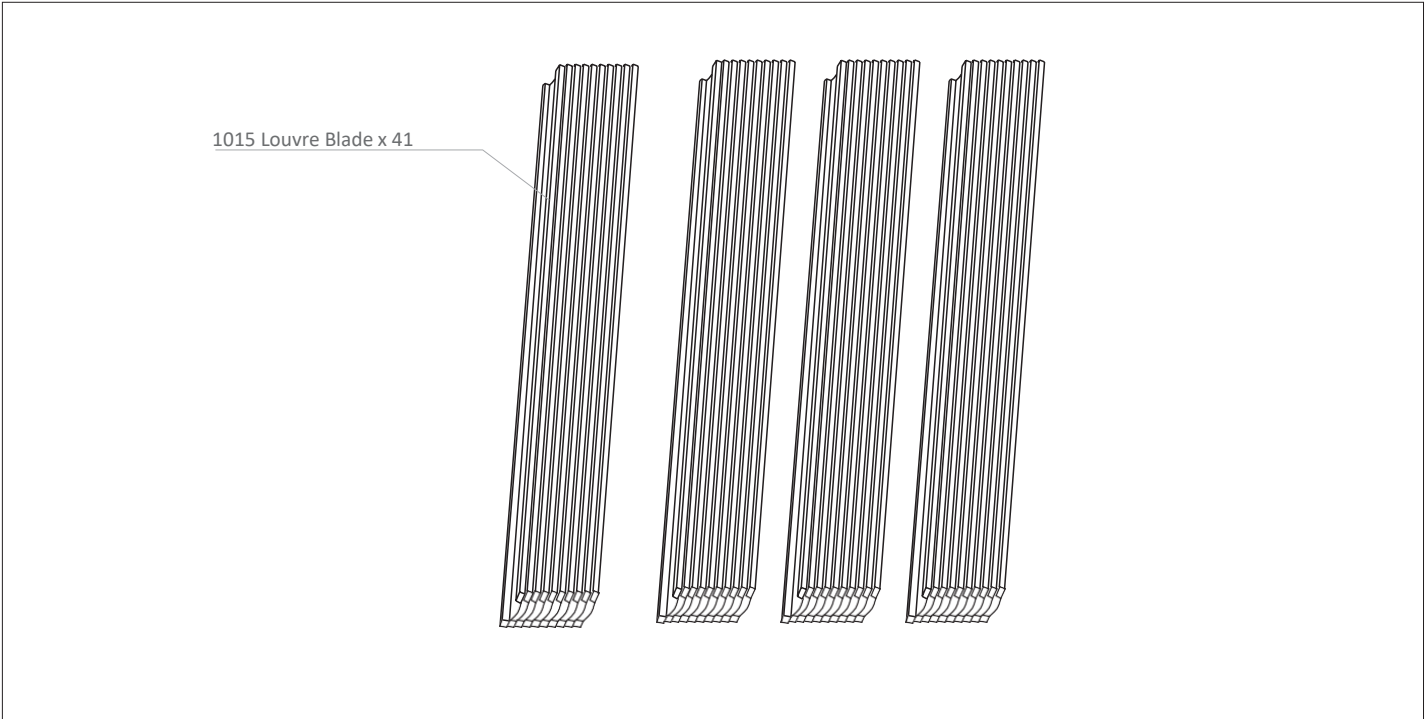
1033 louvre Control Loop x1



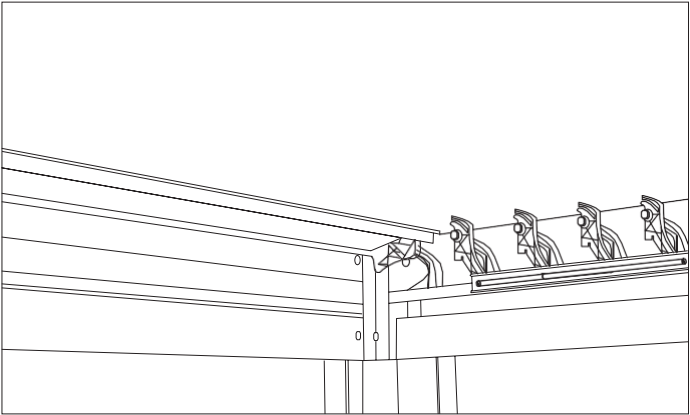
1035 Screwdriver x1



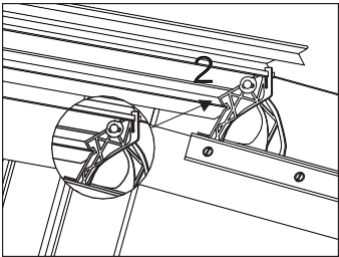
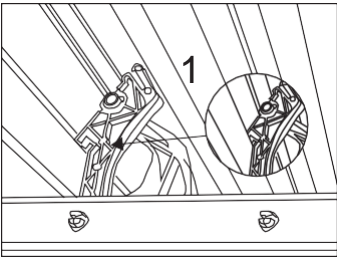
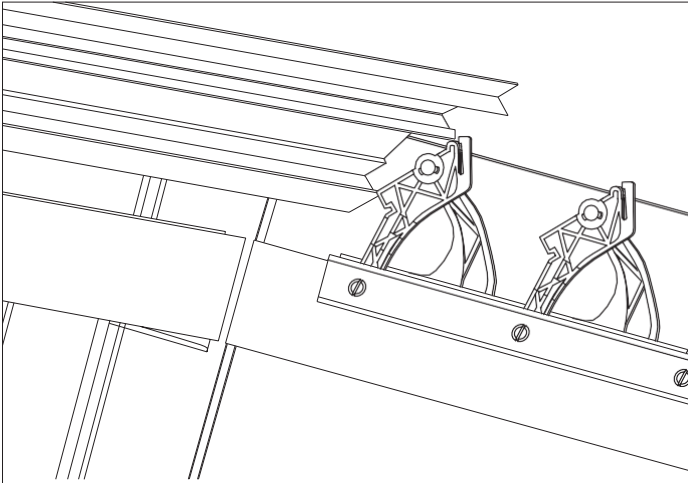
Step five: louvre assembly

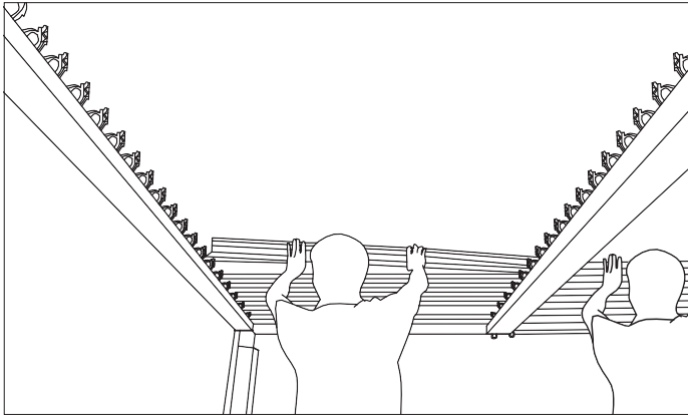


Clamp both ends of the Louvre Blade into the Brackets located on the beams

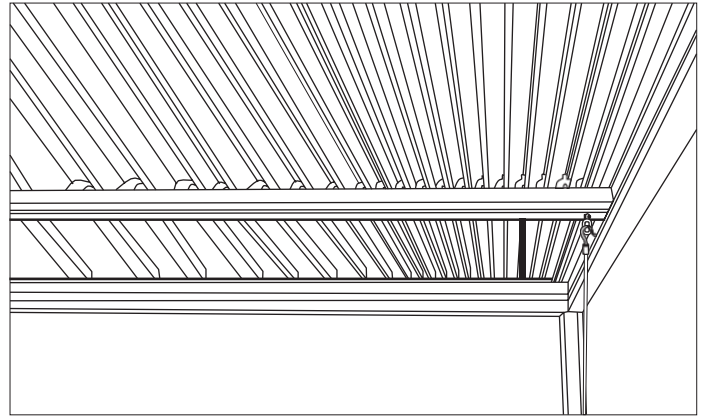


Please note: The front (1PC) and Bottom (1PC) Blades are attached differently to the others, as per above image

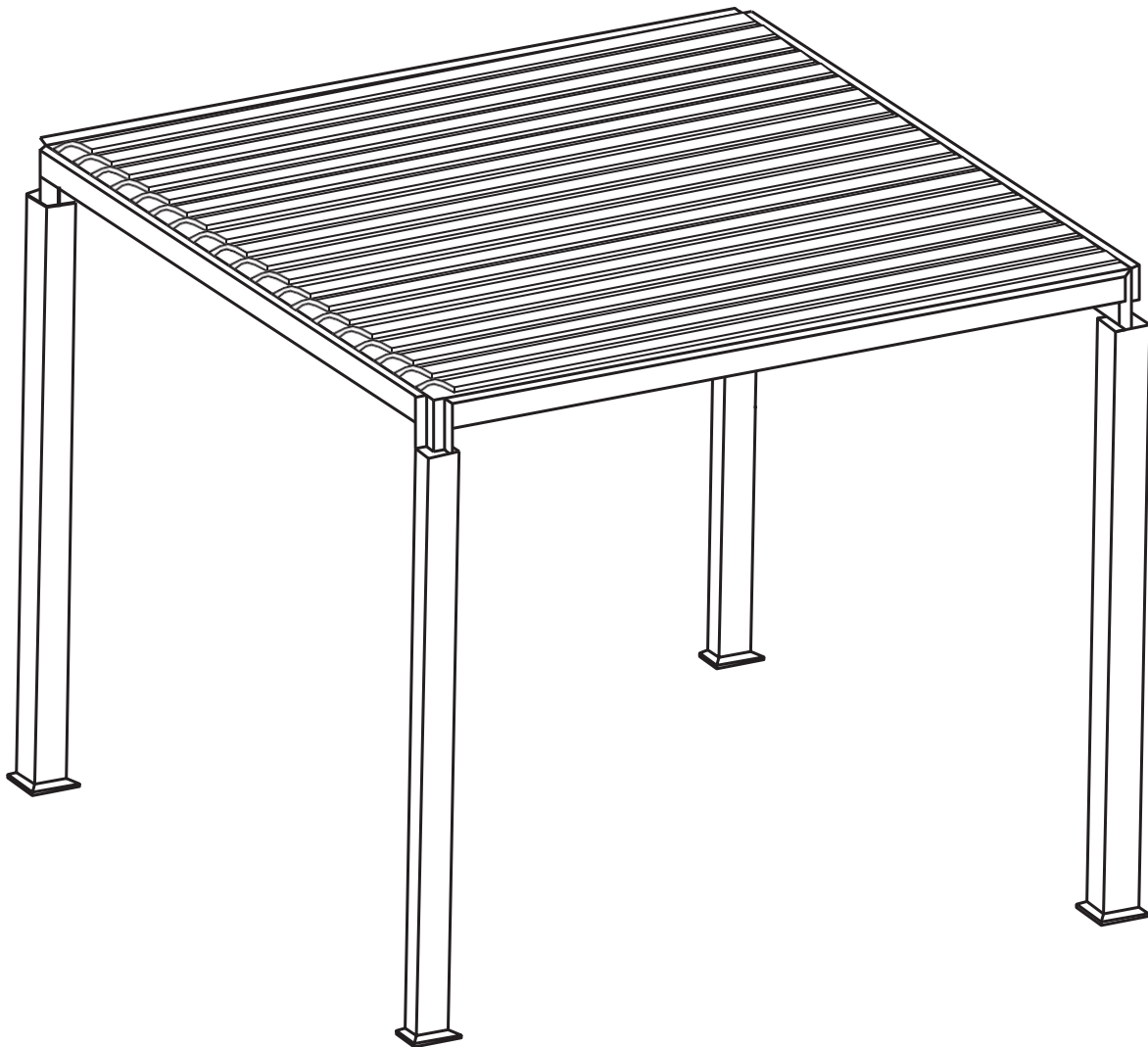




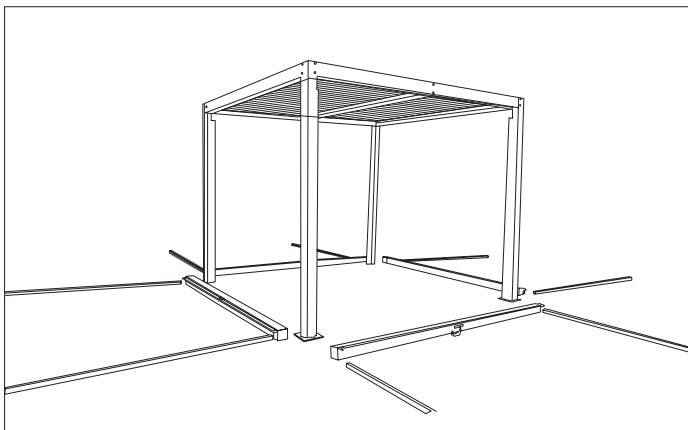
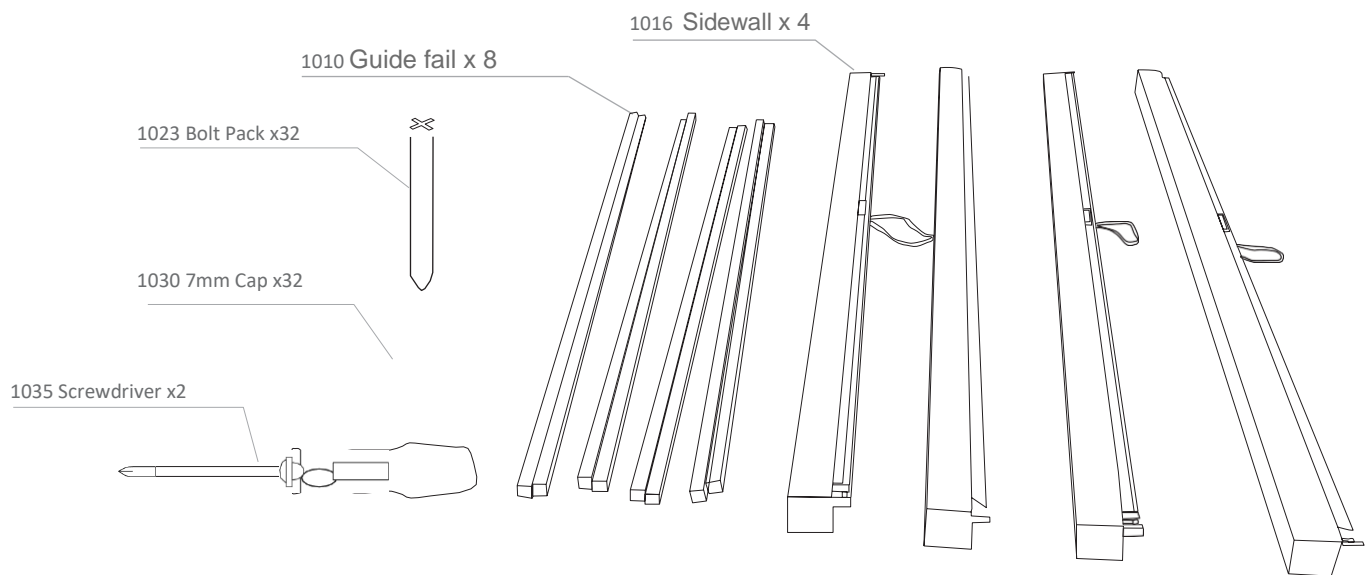
Two People Install the remainder of the Louvre Blades together, ensuring correct alignment



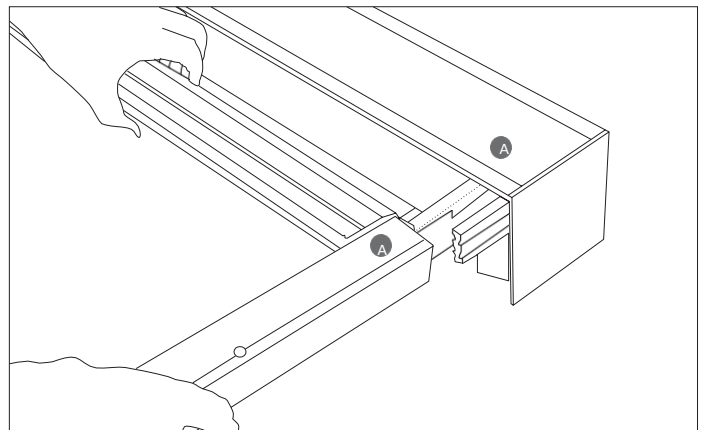
Control the Louvre Blades using Crank Handle (1031) supplied



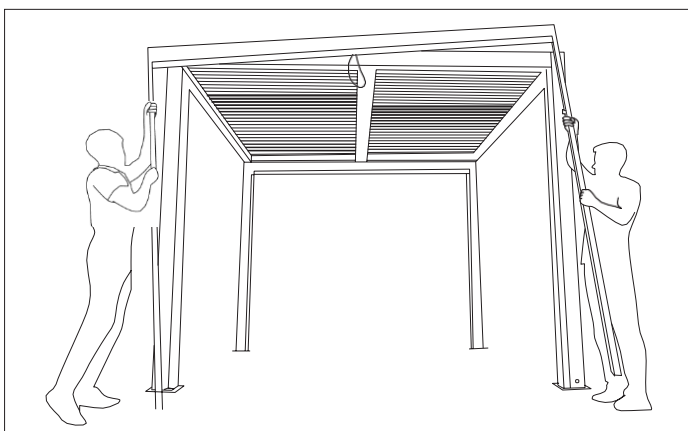
Step six: sidewall assembly



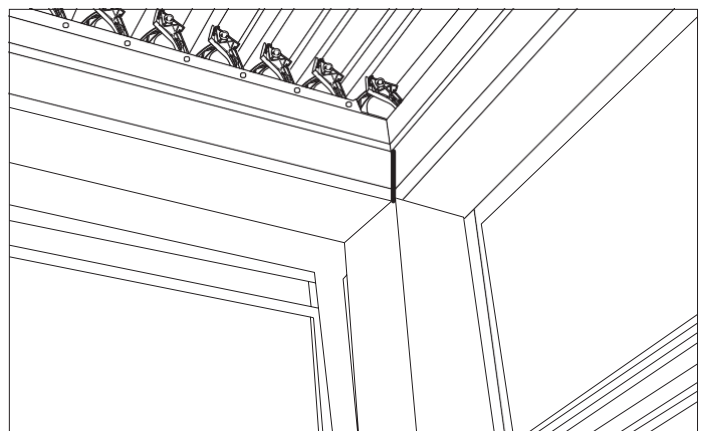
Arrange the Sidewalls and Guide fails in place, ready for assembly

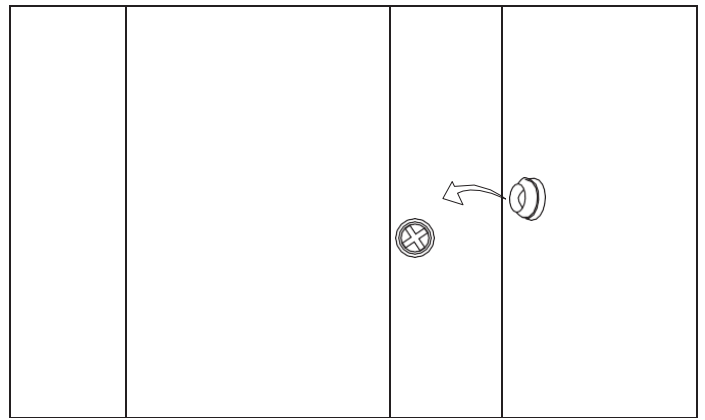
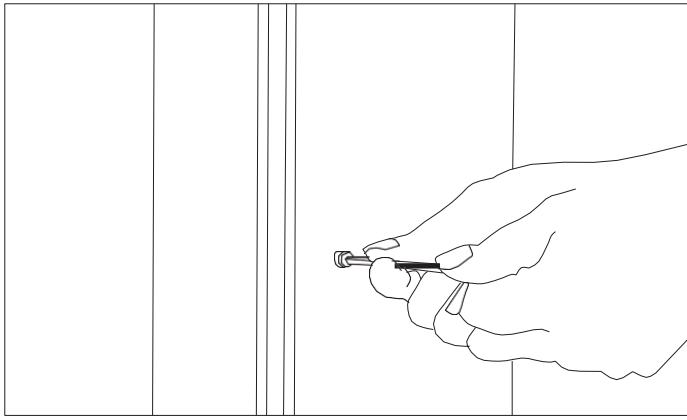


Insert Mesh Panel into the Guide fail before sliding Guide fail over insert on Sidewall frame

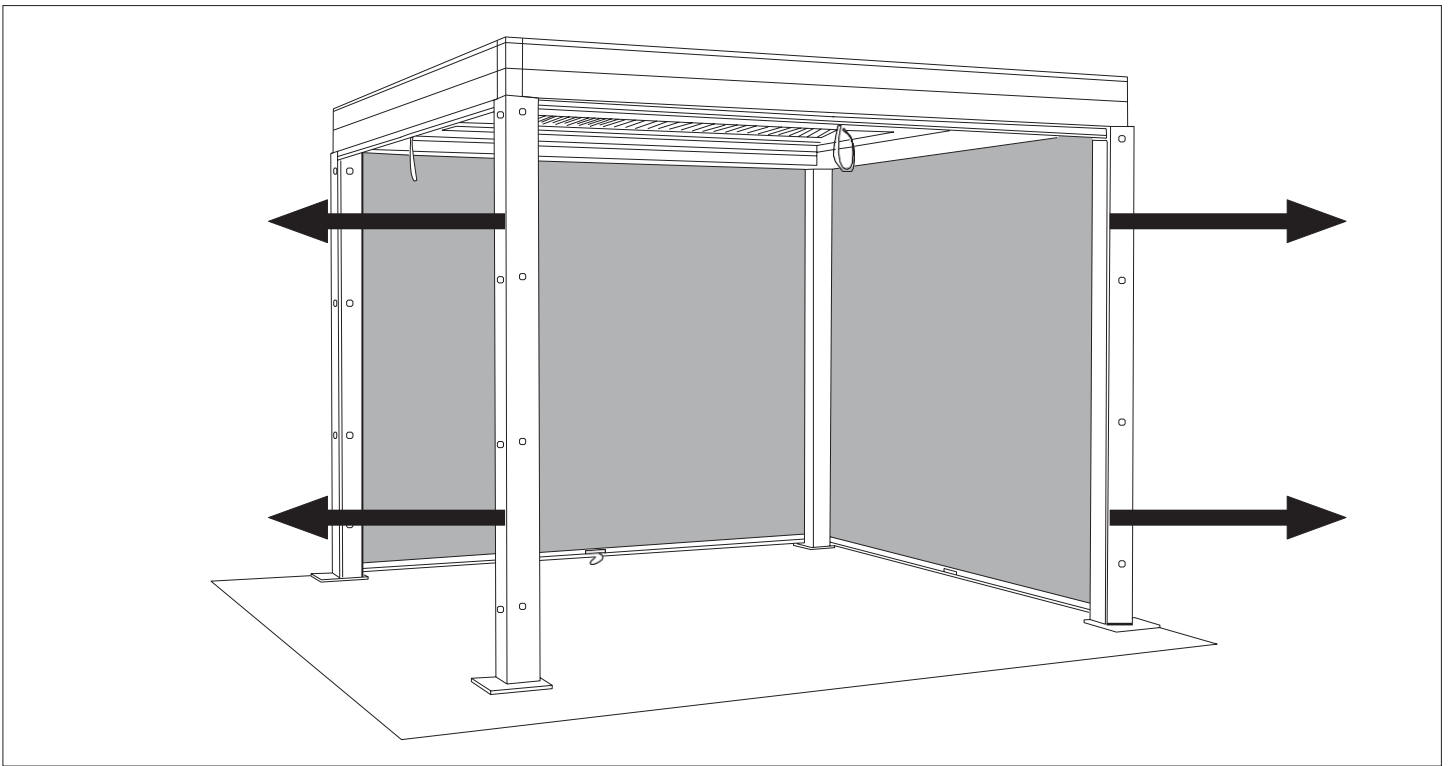


Attach the Sidewalls to the Posts putting the cover of the Sidewall clip into the gap on the top of the Post



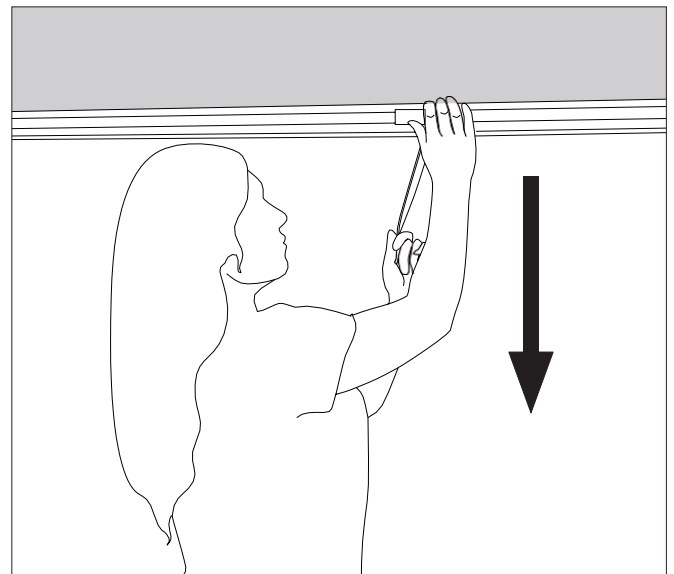


Using screws 1023 to secure the Sidewalls in place and cover the screws with boltcdps 1030 supplied.

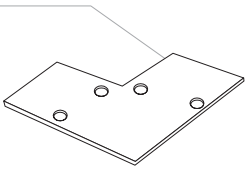


Pull each of the Mesh Sidewalls down in turn.

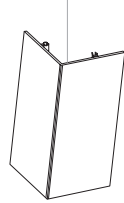
If you feel any resistance when pulling down or raising back up measure the distance between the corresponding posts and adjust widths at top and bottom accordingly



1018 Beam Corner Cap x4



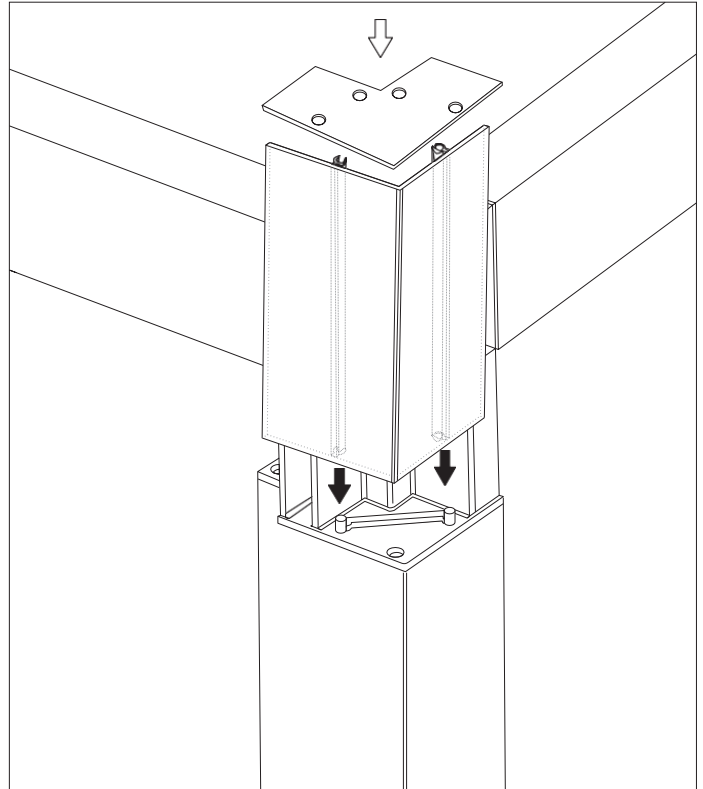
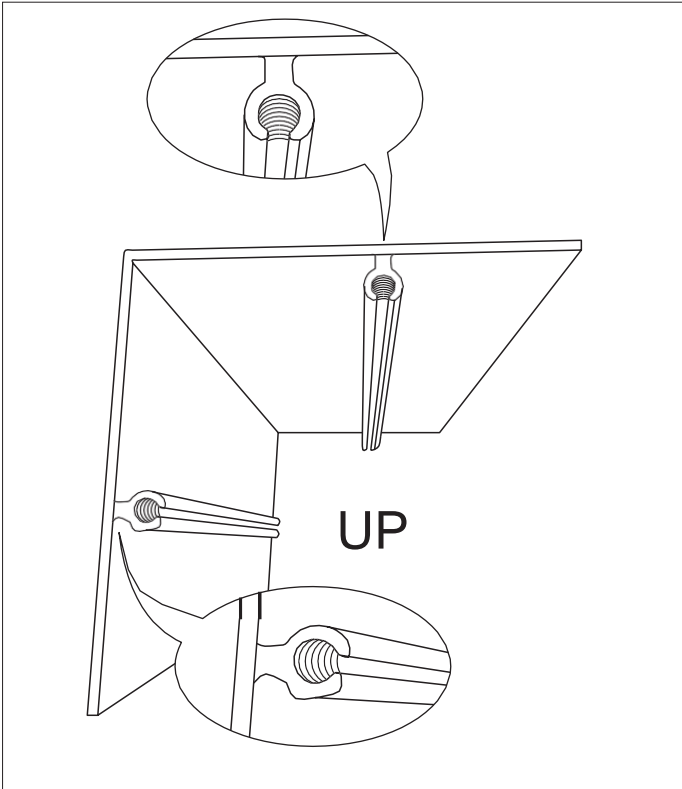
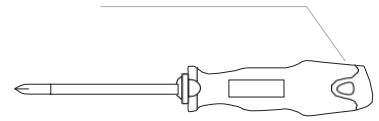
1019 Beam Corner Cover x4



1025 Bolt Pack x16

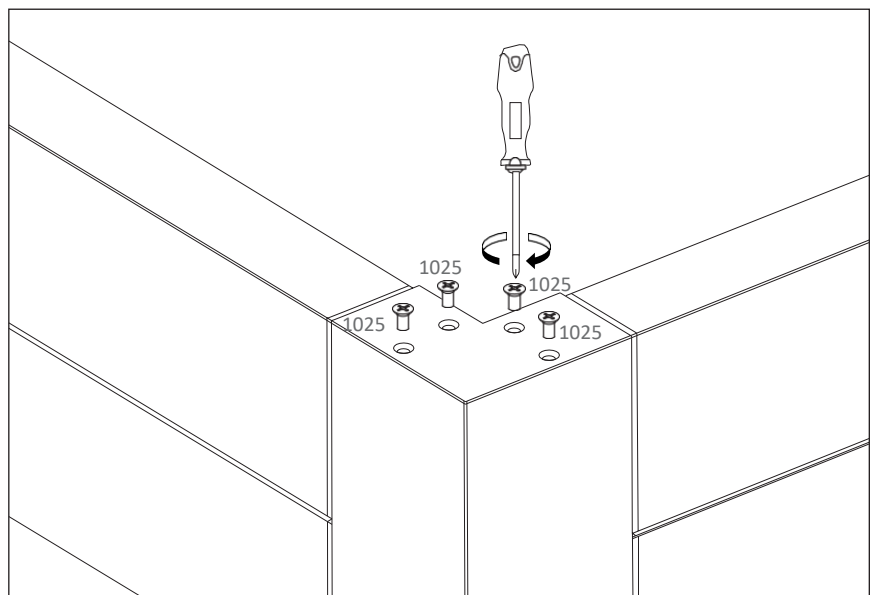


1035 Screwdriver x2

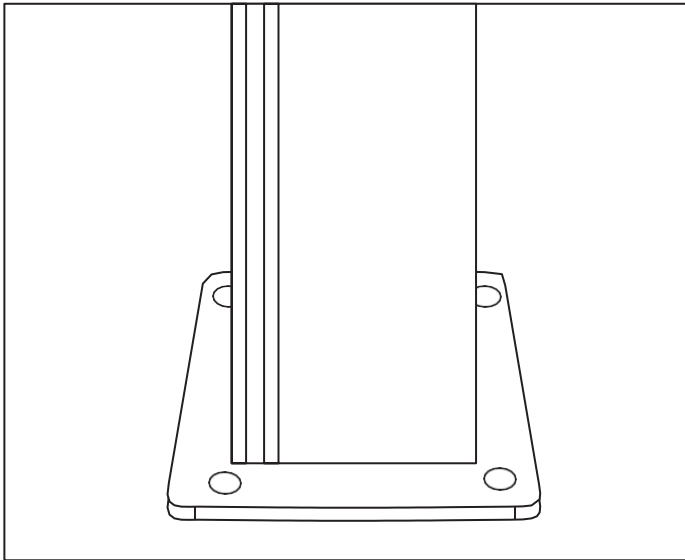


Once all of the Sidewalls are in place, attach the Beam Covers/Caps(1018/1019) by bolts(1025).

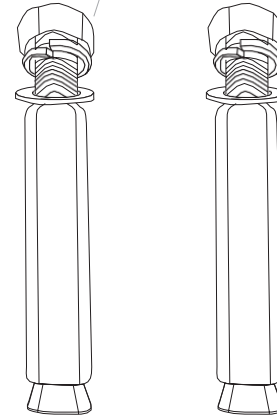
Make sure the end of Beam Cover with screw thread are up so that bolt(1025) can be tightened with it.



Step seven: securing your gazebo

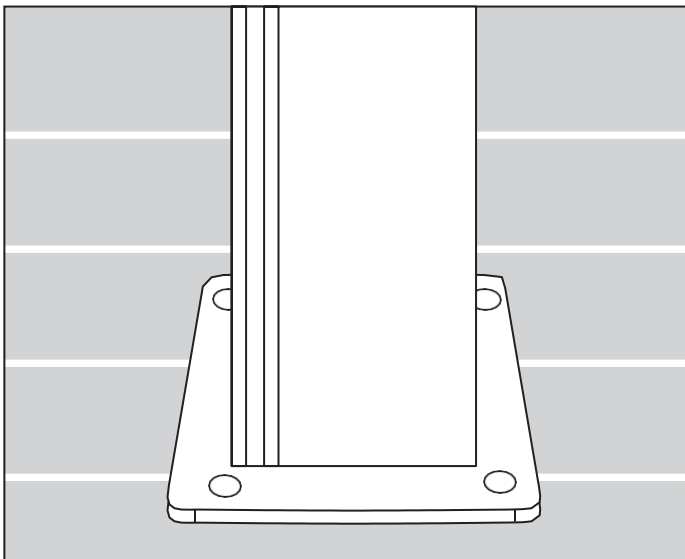


1028 10x100mm Expansiion bolt x16



Securing into Concrete

When securing your gazebo into solid ground such as concrete or a paved area please use the expanding bolts (1028)



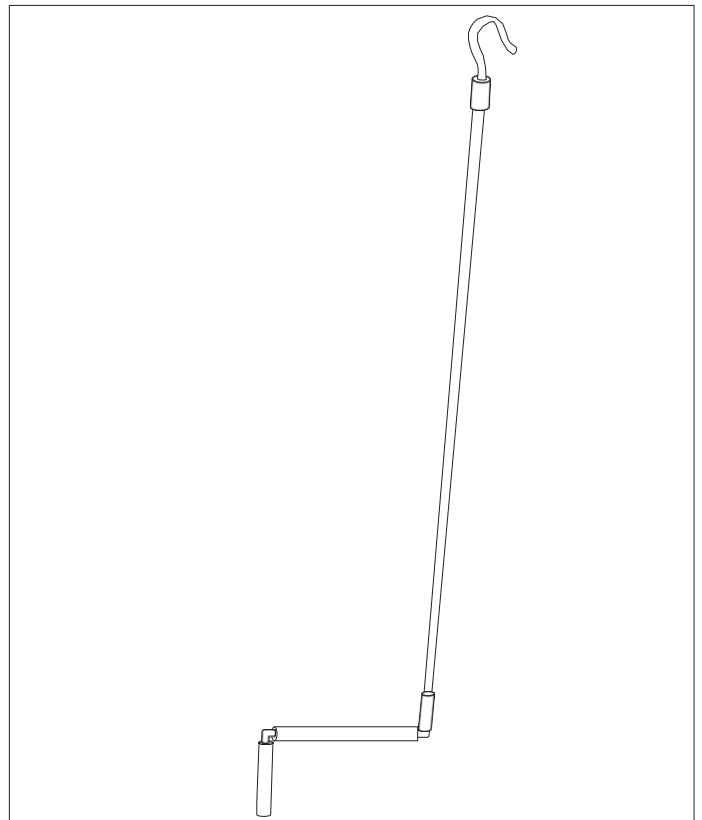
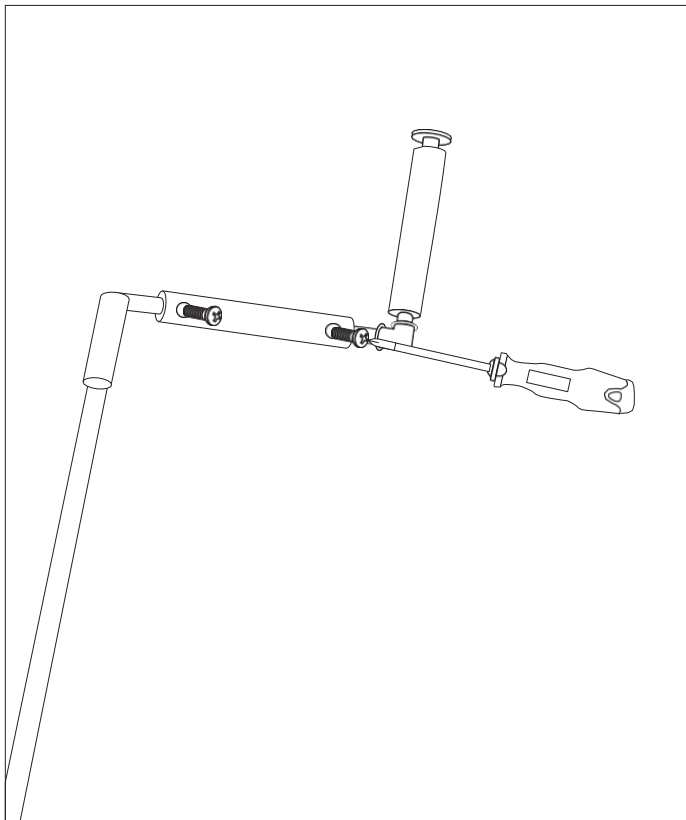
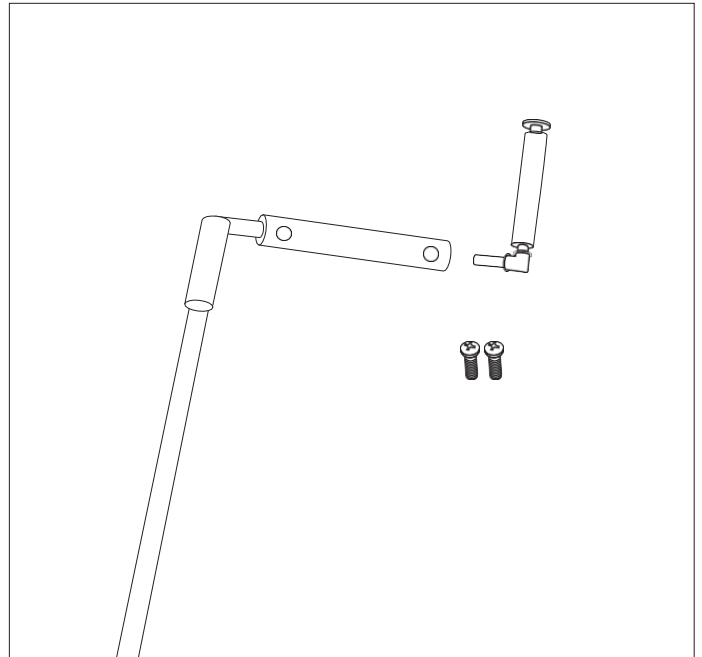
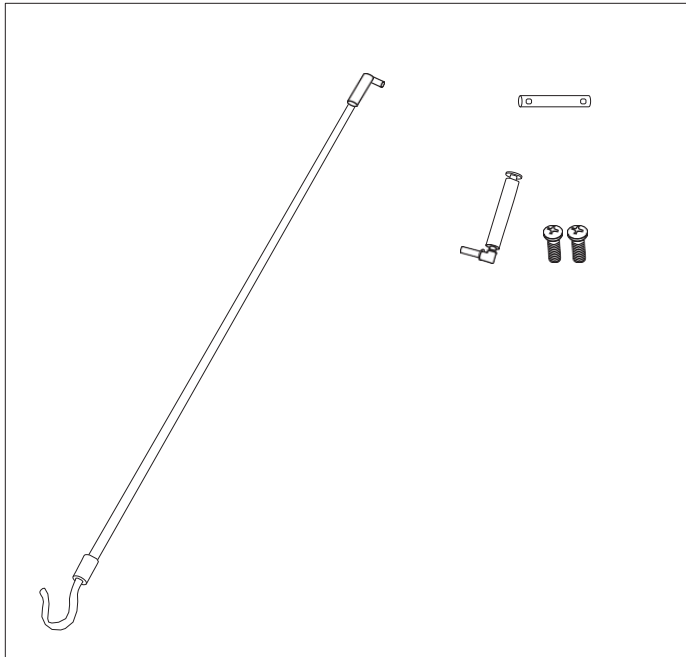
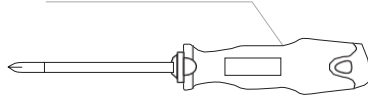
Attention: Wood screws are not in packing list. You have to purchase it based on the specification of your decking wood.

Securing into Wood

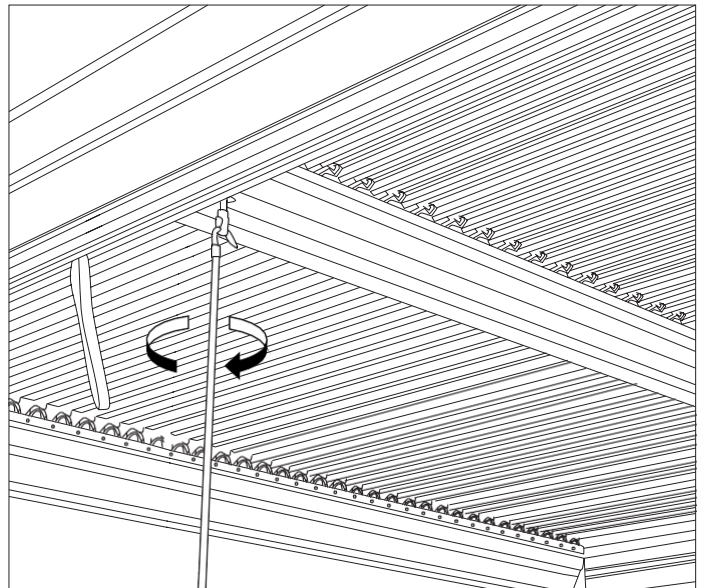
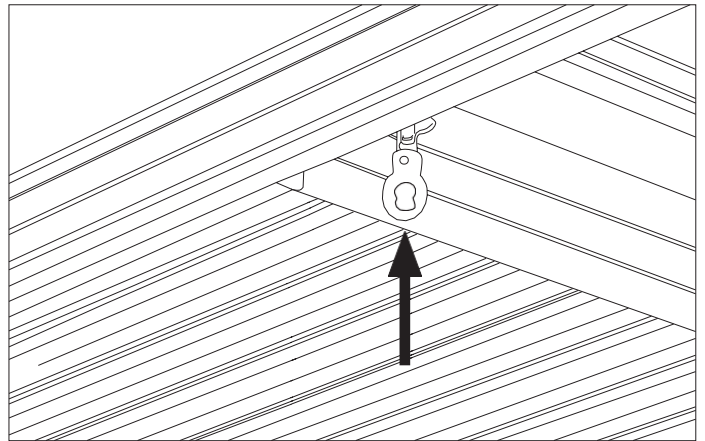
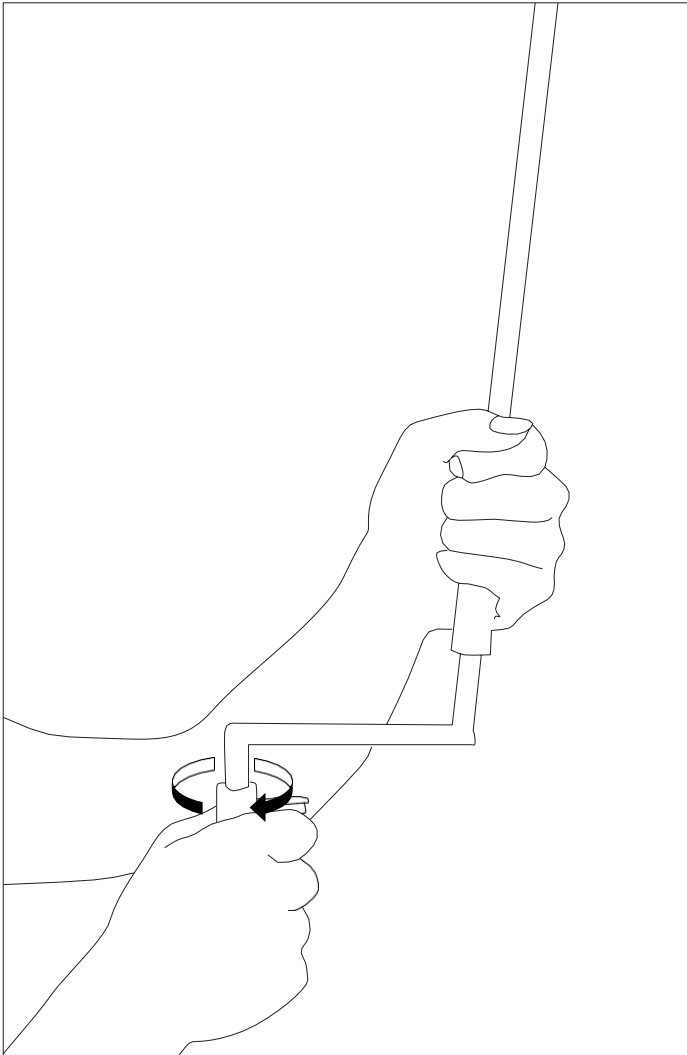
When securing your gazebo into a wooden surface such as decking, please use suitable wood Screws with a diameter of 10mm and a length which suitable for your decking wood thickness.

Step eight: Louvre crank handle assembly

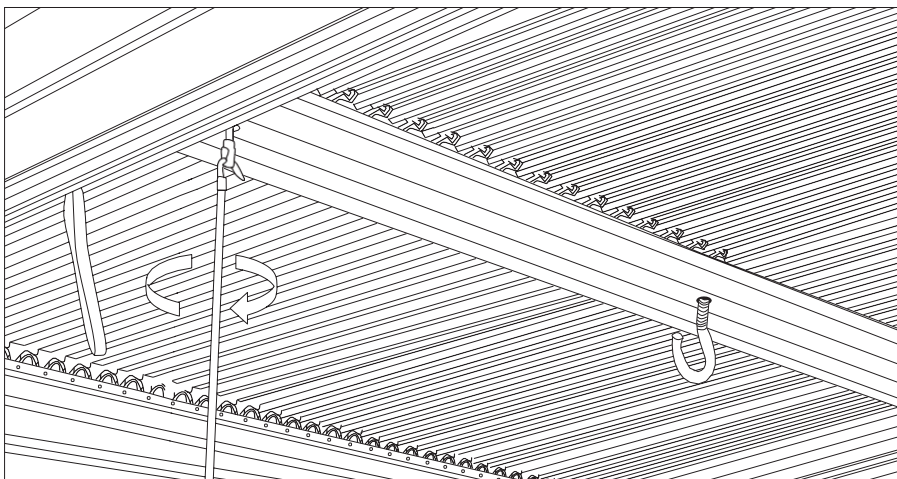
1035 Screwdriver



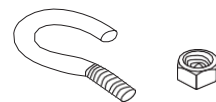
Usage instructions: louvre roof



Locate the Louvre control loops, insert Crank Handle and turn clockwise to open and anti clockwise to close.



1032 M6 Hook / Nut x1



Install Light hook at the Centre of the middle Beam

Care instructions:

- Whilst this Gazebo is designed to be a semi-permanent structure it is important to keep it properly maintained
- Always ensure Louvre Blades are clear of obstructions before operation
- Mesh Sidewalls should NOT be left in their downward position when not in use or during windy conditions
- All parts of the Gazebo can be cleaned using warm soapy water and a non- abrasive cloth

Warranty:

The warranty applies to the original purchaser from the date of purchase and covers manufacturing faults and defects only. If an item should fail as a result of a manufacturing fault or defect under normal domestic use, the manufacturer at their discretion will repair, refinish or replace the failed item.

The manufacturer reserves the right to substitute failed items with a similar product should the model or colour no longer be available. Any replacement will be for the failed item only, not a complete set. The original warranty period is not extended in the event of a repair, refinish or replacements.

In the event of a failure, it is the customers responsibility to return the item to the store of purchase along with a copy of the receipt. Leisure Garden will confirm the customer's receipt. Warranty specifically excludes general wear and tear, rusting of steel components and parts, corrosion, commercial use and damage caused as a result of failure to observe reasonable care, maintenance and assembly instructions for both furniture and hardware.

THE END